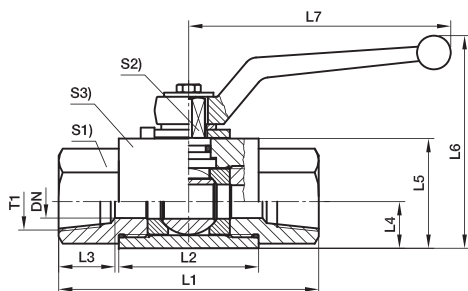


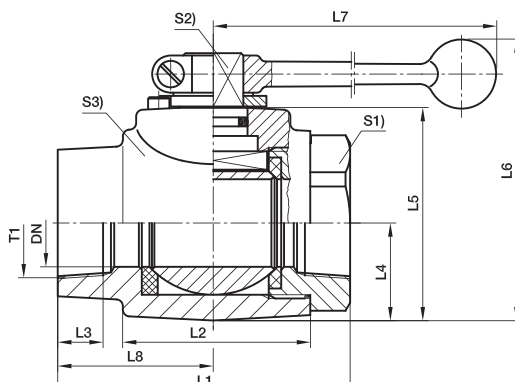
KFKH 二通内螺纹碳钢球阀—美制锥螺纹

美制锥螺纹NPT(SAE476)/美制锥螺纹NPT(SAE476)

DN 4-25



DN 32-40



T1	DN	L1	L2	L3	L4	L5	L6	L7	L8	S1	S2	S3	重量 克/件	订货号*	工作压力 (bar)
1/8-27 NPT	4	69	36	7.0	10.0	25	55.0	76		19	7	20	225	KFKH1/8NPTX	500
1/4-18 NPT	6	69	36	10.0	10.0	25	55.0	76		19	7	20	210	KFKH1/4NPTX	500
3/8-18 NPT	10	73	45	10.4	14.5	35	68.0	100		24	8	30	430	KFKH3/8NPTX	500
1/2-14 NPT	12	82	51	13.6	17.0	40	92.0	112		30	10	35	670	KFKH1/2NPTX	500
3/4-14 NPT	20	93	60	14.0	24.0	55	113.0	187		41	14	45	1280	KFKH3/4NPTX	400
1-11 1/2 NPT	25	113	70	16.8	26.0	60	118.0	187		50	14	55	1970	KFKH1NPTX	400
1 1/4-11 1/2 NPT	32	110	70	17.3	36.5	80	180.5	320	58.5	60	17	73	3074	KFKH1/4NPTX	315
1 1/2-11 1/2NPT	40	114	75	17.3	42.5	90	190.5	320	57.0	70	17	85	3976	KFKH11/4NPTX	315