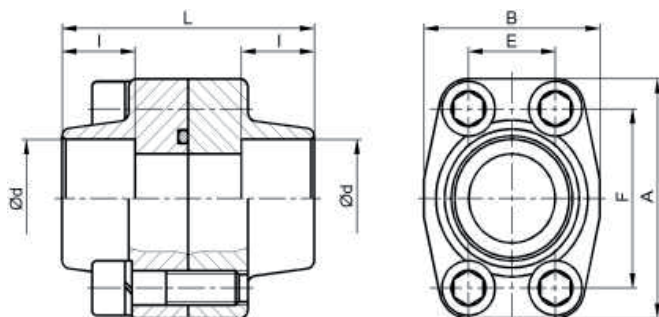


SAE 法兰系列 / SAE-flange Series

AFLA / AFL 带止口 SAE 焊接法兰组件 / AFLA / AFL SAE Socket Weld Flange Connector Kits

AFLA / AFL 法兰组件安装尺寸

Dimensions of AFLA / AFL Flange Connector Kits



mm

公称规格 Nominal Size		型式代号 Type Code	工作压力 PN	尺寸 Dimensions						螺栓规格 Screws	O 型密封圈 O-Ring	重量 Weight	
mm	in.		bar	d	A	B	E	F	L	I	M		kg
3000 psi													
10	3/8"	AFLA/AFL 3001a	210	17.5	57	47	17.5	38.1	72	18	M8 x 30	18.7 x 3.55	0.37
13	1/2"	AFLA/AFL 3001	210	21.6	57	47	17.5	38.1	72	18	M8 x 30	18.7 x 3.55	0.335
19	3/4"	AFLA/AFL 3002	210	27.2	66	49	22.3	47.6	72	18	M10 x 35	25.0 x 3.55	0.545
25	1"	AFLA/AFL 3003	210	34.5	70	53	26.2	52.4	76	18	M10 x 35	32.9 x 3.55	0.605
32	1 1/4"	AFLA/AFL 3004	210	42.8	80	69	30.2	58.7	82	20	M10 x 40	37.7 x 3.55	0.855
38	1 1/2"	AFLA/AFL 3005	200	48.6	94	77	35.7	69.9	88	22	M12 x 45	47.2 x 3.55	1.295
51	2"	AFLA/AFL 3006	200	61.0	103	89	42.9	77.8	90	24	M12 x 45	56.7 x 3.55	1,400
64	2 1/2"	AFLA/AFL 3007	160	76.6	115	101	50.8	88.9	100	28	M12 x 45	69.4 x 3.55	1.748
76	3"	AFLA/AFL 3008	100	90.5	135	124	61.9	106.4	100	28	M16 x 50	85.3 x 3.55	2.716
89	3 1/2"	AFLA/AFL 3009	35	103.0	153	137	69.9	120.7	100	28	M16 x 50	98.0 x 3.55	2.96
102	4"	AFLA/AFL 3010	35	115.0	163	147	77.8	130.2	100	28	M16 x 50	110.7 x 3.55	3.167
127	5"	AFLA/AFL 3011	35	141.0	184	170	92.1	152.4	100	28	M16 x 50	136.1 x 3.55	3.960
6000 psi													
10	3/8"	AFLA/AFL 6001a	410	17.5	57	47	18.2	40.5	72	18	M8 x 30	18.7 x 3.55	0.354
16	1/2"	AFLA/AFL 6001	410	21.6	57	47	18.2	40.5	72	18	M8 x 30	18.7 x 3.55	0.350
19	3/4"	AFLA/AFL 6002	410	27.2	71	53	23.8	50.8	72	20	M10 x 35	25.0 x 3.55	0.640
25	1"	AFLA/AFL 6003	410	34.5	80	66	27.8	57.2	88	22	M12 x 40	32.9 x 3.55	1.018
32	1 1/4"	AFLA/AFL 6004	410	42.8	94	77	31.8	66.6	88	22	M14 x 45	37.7 x 3.55	1.413
38	1 1/2"	AFLA/AFL 6005	410	48.6	103	89	36.5	79.3	102	24	M16 x 50	47.2 x 3.55	2.056
51	2"	AFLA/AFL 6006	410	61.0	135	116	44.5	96.8	116	25	M20 x 60	56.7 x 3.55	3.862