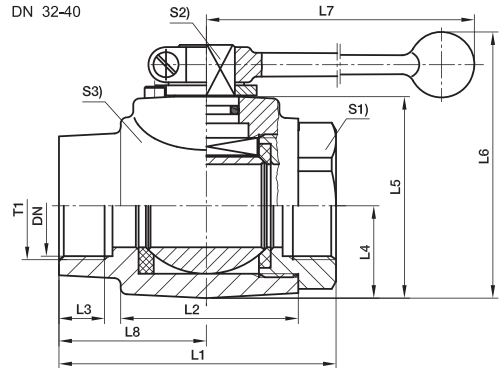
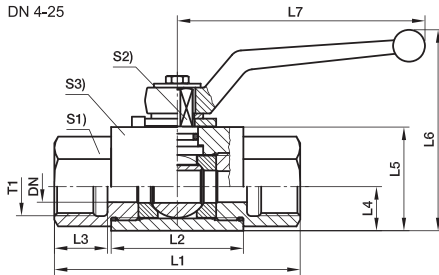


## KFKH 二通碳钢球阀 – 英制内螺纹

英制内螺纹BSPP(ISO1179-1)/英制内螺纹BSPP(ISO1179-1)



T1	DN	L1	L2	L3	L4	L5	L6	L7	L8	S1	S2	S3	重量 克/件	订货号*	工作压力 (bar)
G 1/8	4	69	36	12	10.0	25	55.0	76	-	19	7	20	220	KFKH1/8X	500
G 1/4	6	69	36	12	10.0	25	55.0	76	-	19	7	20	210	KFKH1/4X	500
G 3/8	10	73	45	14	14.5	35	68.0	100	-	24	8	30	430	KFKH3/8X	500
G 1/2	12	82	51	15	17.0	40	92.0	112	-	30	10	35	670	KFKH1/2X	500
G 5/8	16	88	50	18	20.0	45	105.0	166	-	36	11	45	973	KFKH5/8X	400
G 3/4	20	93	60	18	24.0	55	113.0	187	-	41	14	45	1280	KFKH3/4X	400
G 1	25	113	70	20	26.0	60	118.0	187	-	50	14	55	1982	KFKH1X	400
G 1 1/4	32	110	70	20	36.5	80	180.5	320	58.5	60	17	73	2620	KFKH1/4X	315
G 1 1/4	25	134	70	20	26.0	60	118.0	187	-	50	14	55	2066	KFKH1 1/4DN25X	400
G 1 1/2	40	114	75	22	42.5	90	190.5	320	57.0	70	17	85	3989	KFKH11/2X	315
G 1 1/2	25	139	70	22	26.0	60	118.0	187	-	55	14	55	2200	KFKH11/2DN25X	400
G 2	50	129	91.5	27.5	49.5	104	180.0	320	65.0	85	17	99	5020	KFKH2X	400